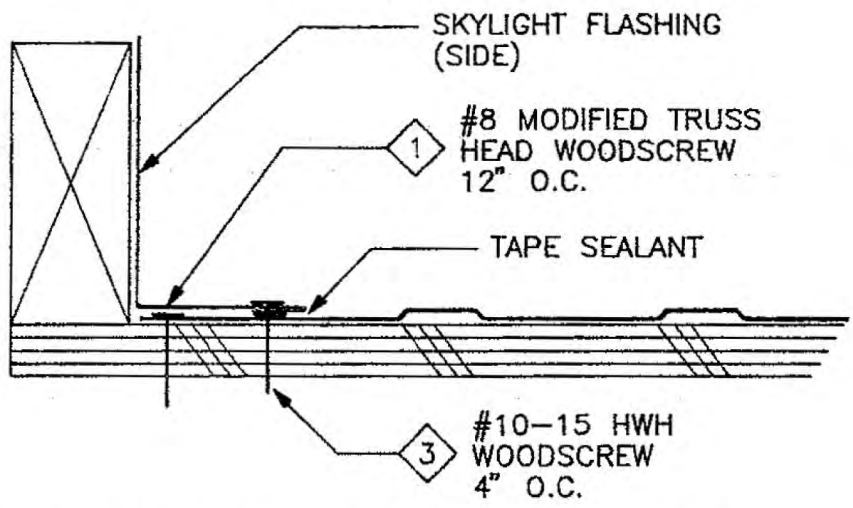
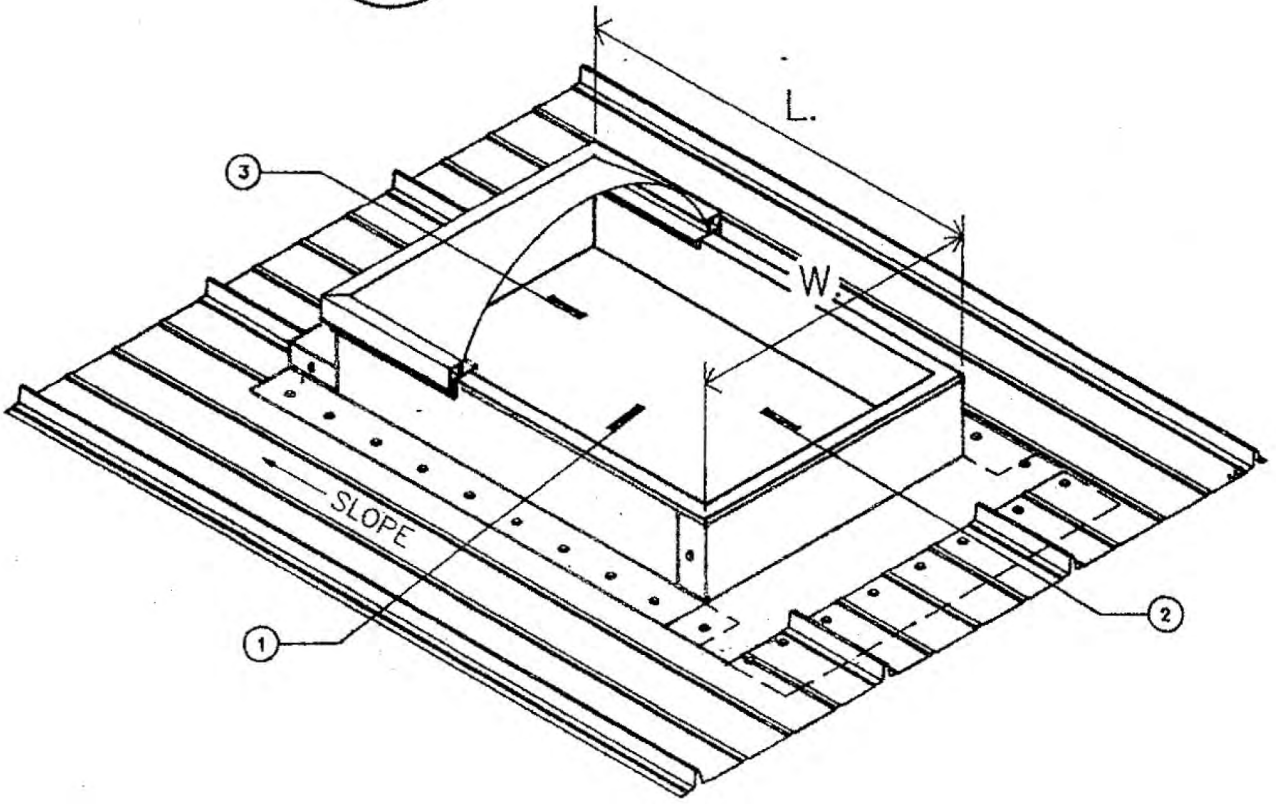
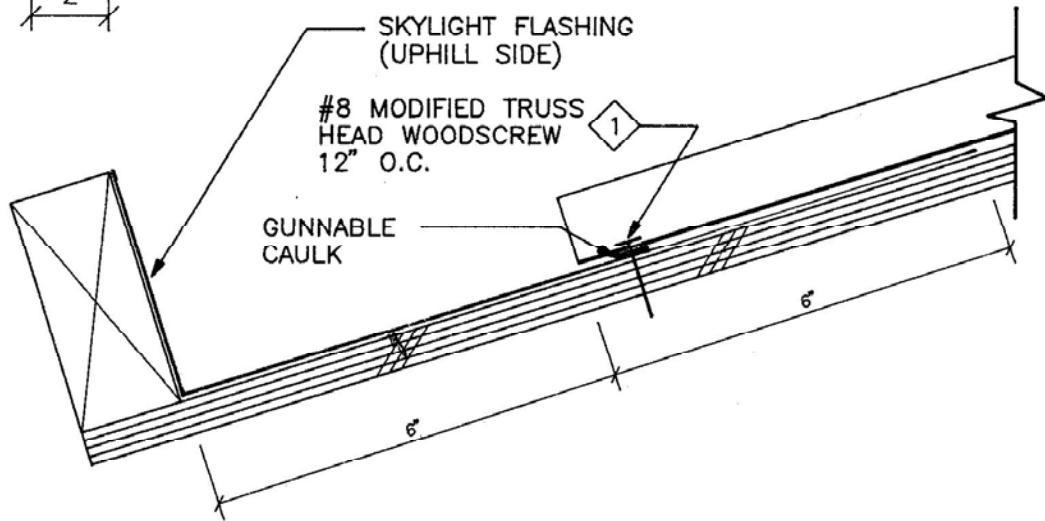
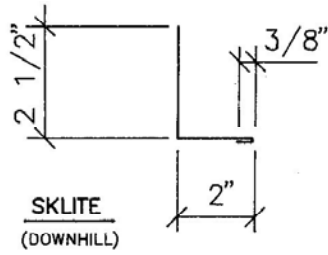
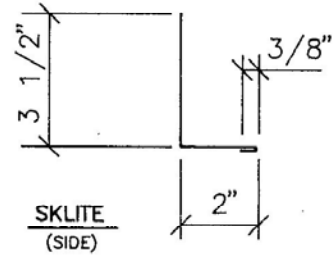
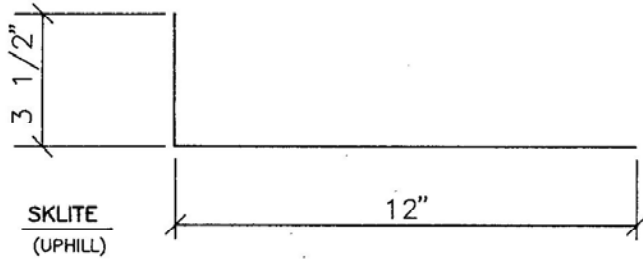


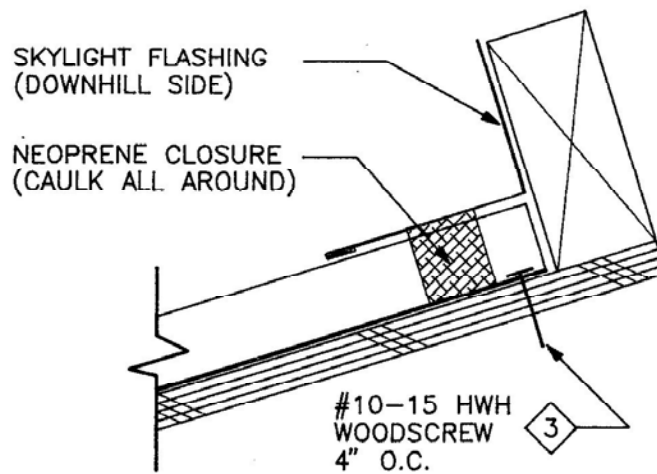
Y SKYLIGHT



1 SKYLIGHT FLASHING (SIDE)



2 SKYLIGHT FLASHING (UPHILL SIDE)



3 SKYLIGHT FLASHING (DOWNHILL SIDE)

# PROCEDURE FOR THE INSTALLATION OF SKYLIGHT FLASHINGS.

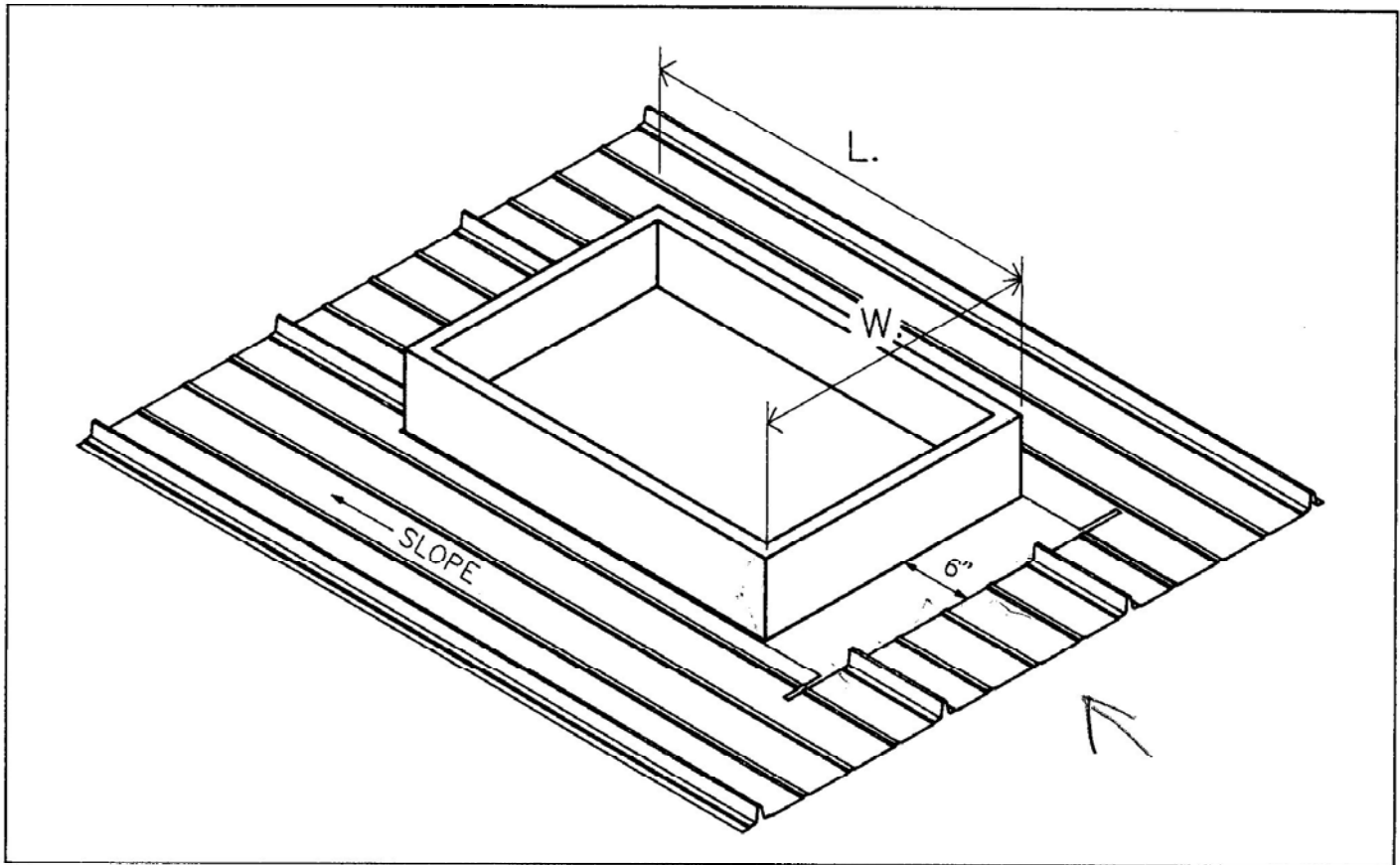
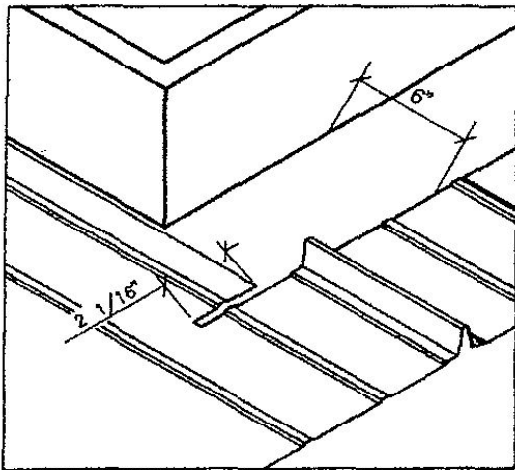


ILLUSTRATION #1

WHENEVER POSSIBLE POSITION THE SKYLIGHT CURB SO THE RIBS OF THE ROOF PANELS DO NOT INTERFERE WITH THE FLASHING.

CUT THE SKYLIGHT ROOF PANELS AS CLOSE TO THE LEFT, RIGHT AND DOWNHILL SIDES OF THE CURB AS POSSIBLE. CUT THE UPHILL SIDE 6" UP FROM THE CURB AS INDICATED ABOVE.

\*NOTE: DO NOT FASTEN DOWN THE PANELS A MINIMUM OF 24" UPHILL FROM THE SKYLIGHT\*\*

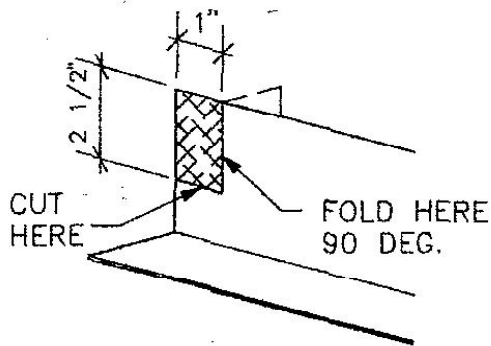
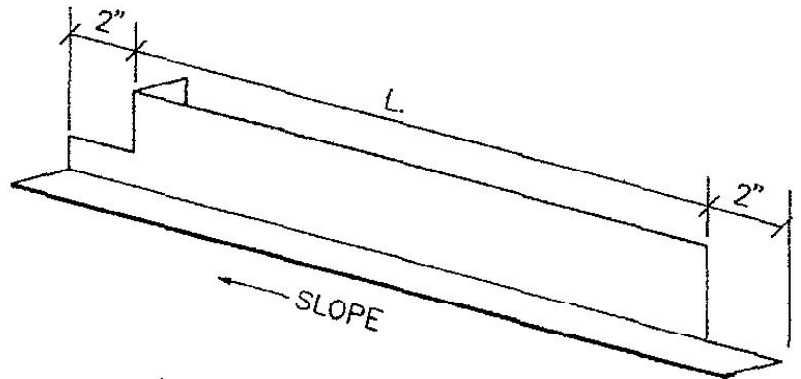


THE SKYLIGHT FLASHING WILL BE 4" WIDER THAN THE WIDTH OF THE CURB (2" ON EACH SIDE). CUT A 1/8" SLOT IN THE TWO UPHILL CORNERS OF THE SKYLIGHT ROOF PANELS SLIGHTLY WIDER THAN 2" SO THE UPHILL FLASHING CAN SLIDE THROUGH THE TWO SLOTS. (ILLUSTRATION #2).

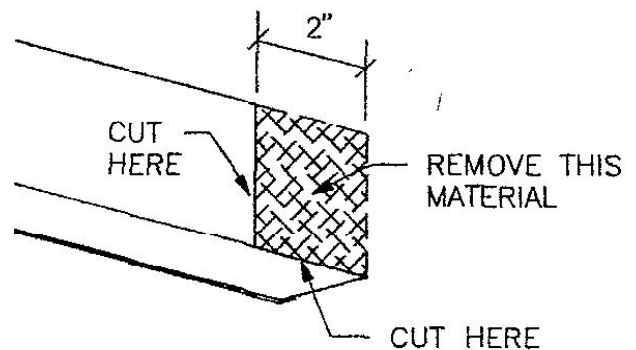
ILLUSTRATION #2

## SKYLIGHT FLASHING PREPARATION

RIGHT SIDE



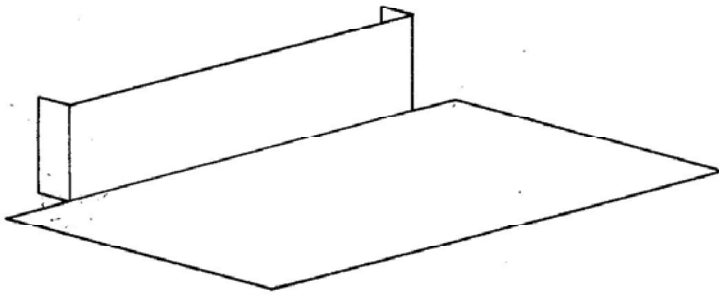
DOWNHILL



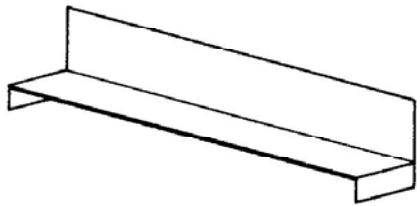
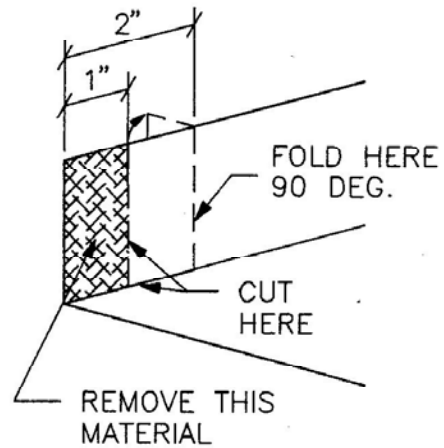
UPHILL

\* TRIM AND BEND THE RIGHT SIDE SKYLIGHT FLASHING AS INDICATED. TRIM THE LEFT SIDE IN A SIMILAR FASHION. (KEEP IN MIND THE UP FROM THE DOWNHILL ENDS).

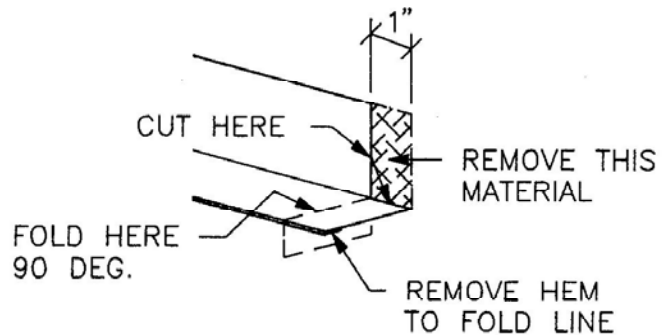
# SKYLIGHT FLASHING PREPARATION



UPHILL SIDE



DOWNHILL SIDE



- \* TRIM BOTH ENDS OF THE UPHILL AND DOWNHILL SIDES OF THE SKYLIGHT FLASHING AS INDICATED.
- \* SLIDE THE UPHILL FLASHING INTO THE SLOTS OF THE SKYLINE ROOFING AND APPLY LIBERAL AMOUNT OF GUNABLE CAULKING.
- \* ASSEMBLE THE SKYLIGHT AS INDICATED
- \* TRIM & ASSEMBLE CHIMNEY FLASHING SIMILARLY.